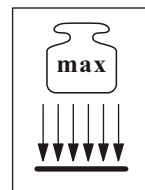
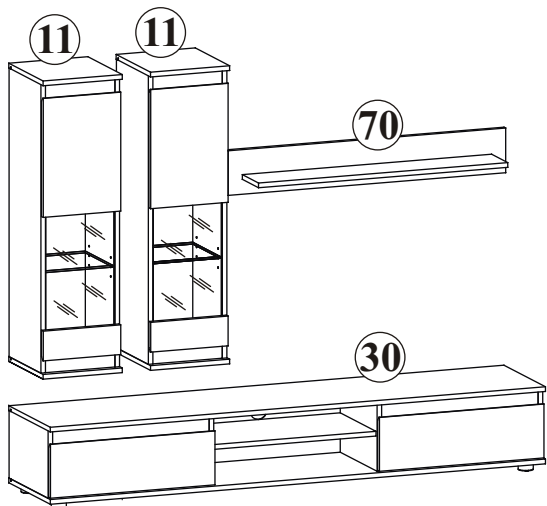
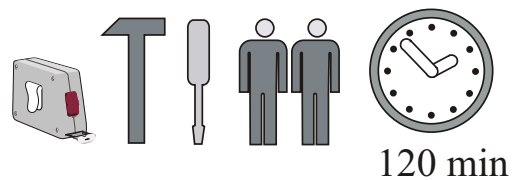
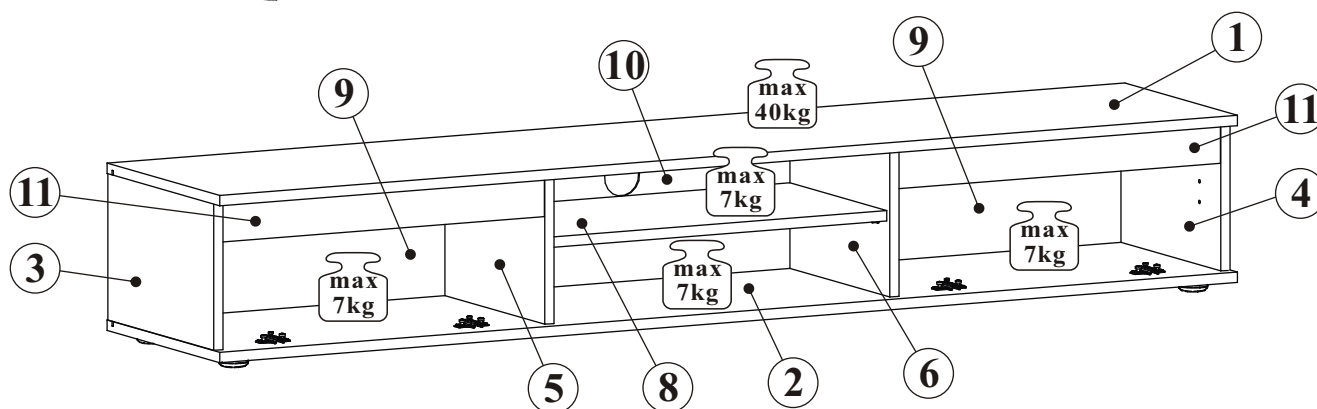
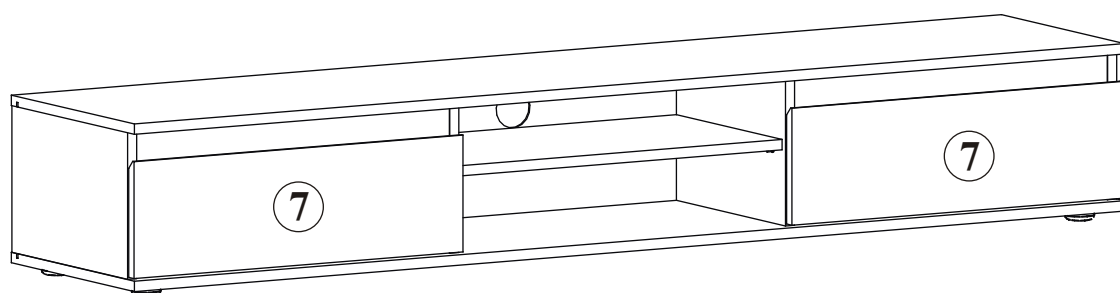


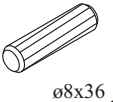
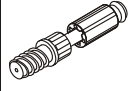

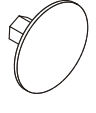

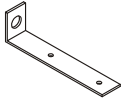
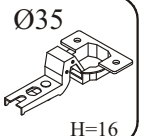
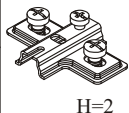



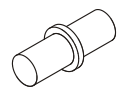


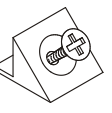
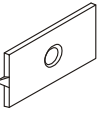

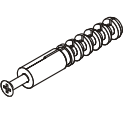
MODO 29_MD TYP 30

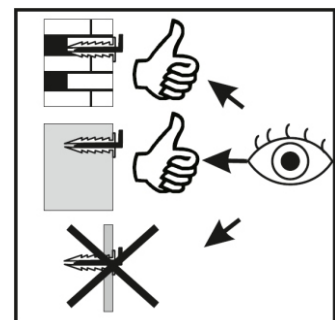
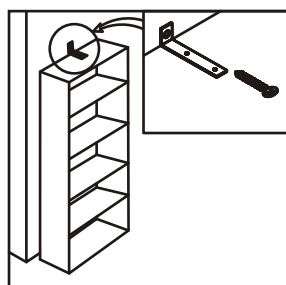
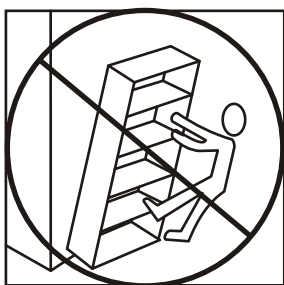
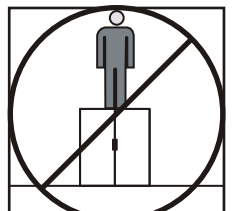
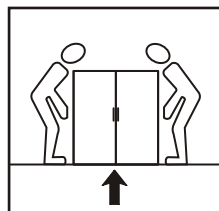
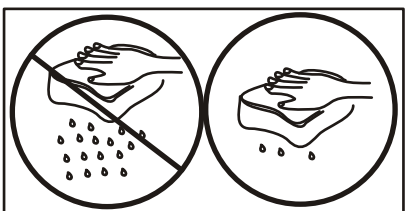
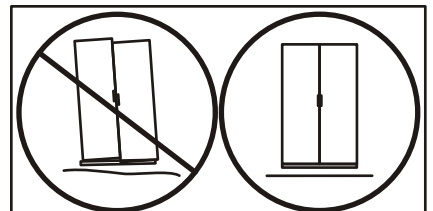
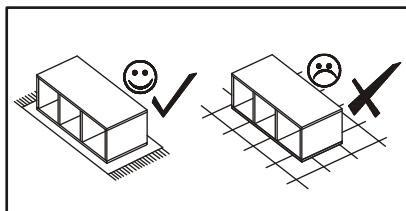
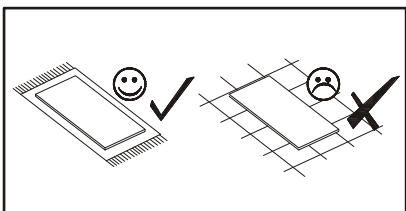
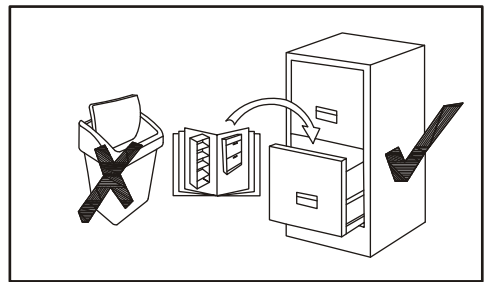
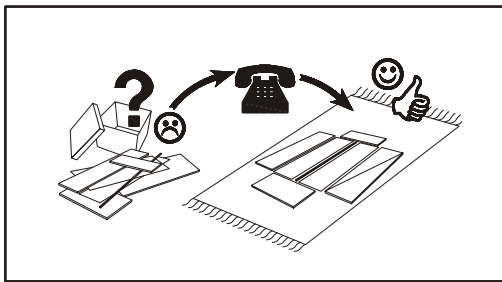
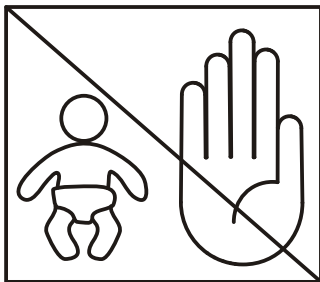
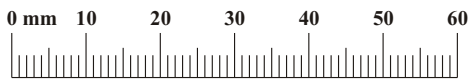


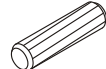
30




NO	Dim.		Col.-No	Qty
1	1752	370	16	2
2	1752	370	16	2
3	227	348	16	2
4	227	348	16	2
5	227	328	16	2
6	227	328	16	2
7	582	180	16	2
8	578	318	16	2
9	568	238	3	2
10	592	238	3	2
11	554	60	16	2

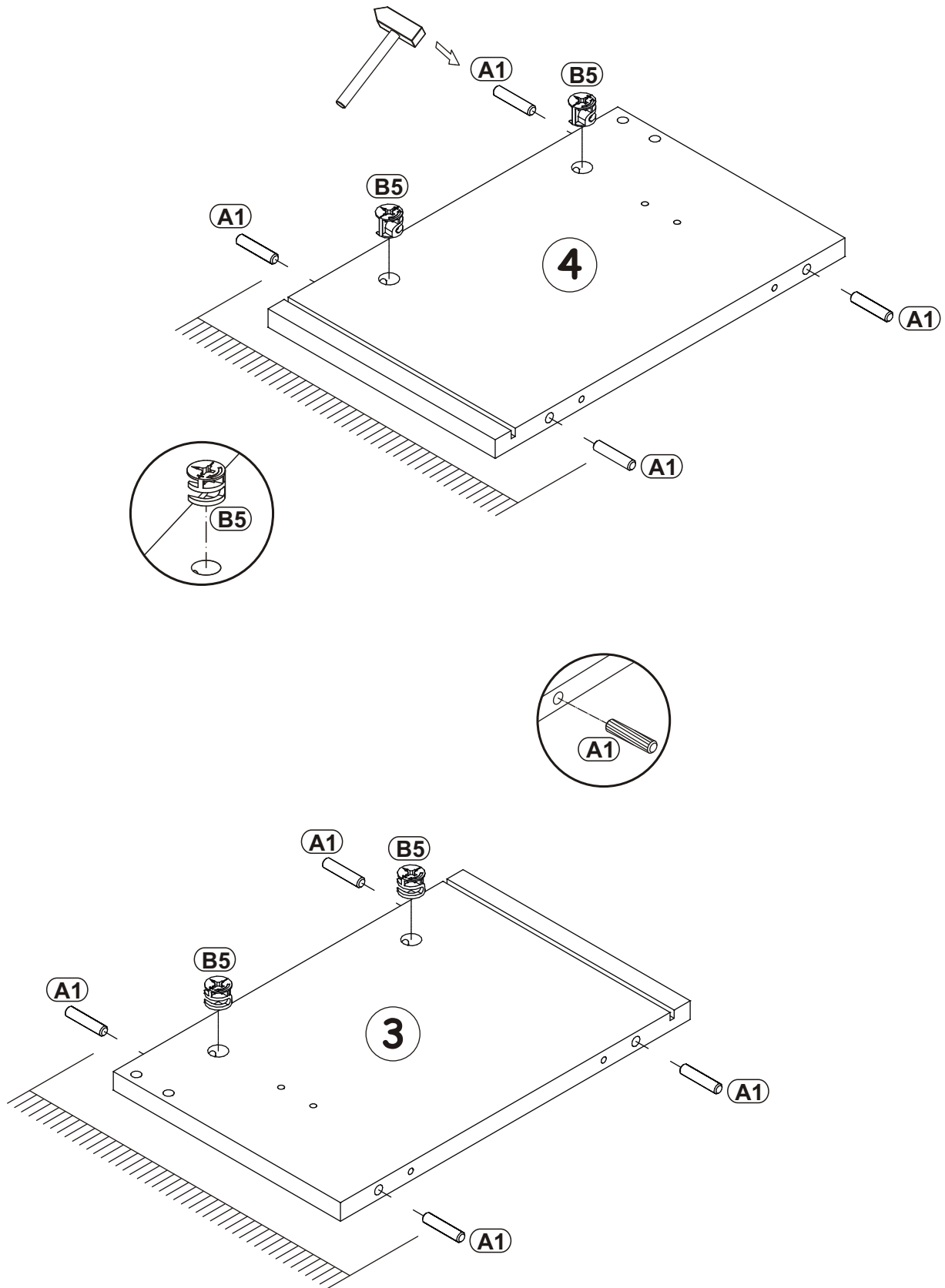
A1 x24  ø8x36	B4 x8 	B5 x8  Ø15x12	G5 x8 	B11 x8  Ø7x50	L1 x2 
E25 x4  Ø35 H=16	E4 x4  H=2	D10 x18  USØ3,5x13	G21 x2 	D7 x6  USØ3x16	G7 x4 
I11 x6  Ø50, h=25	UP15 x6  UPØ4x25	S1 x14 	G16 x4 	UP13 x4  UPØ3x16	KR1 x2 

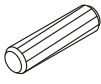

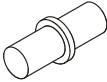


A1	
x8	ø8x36

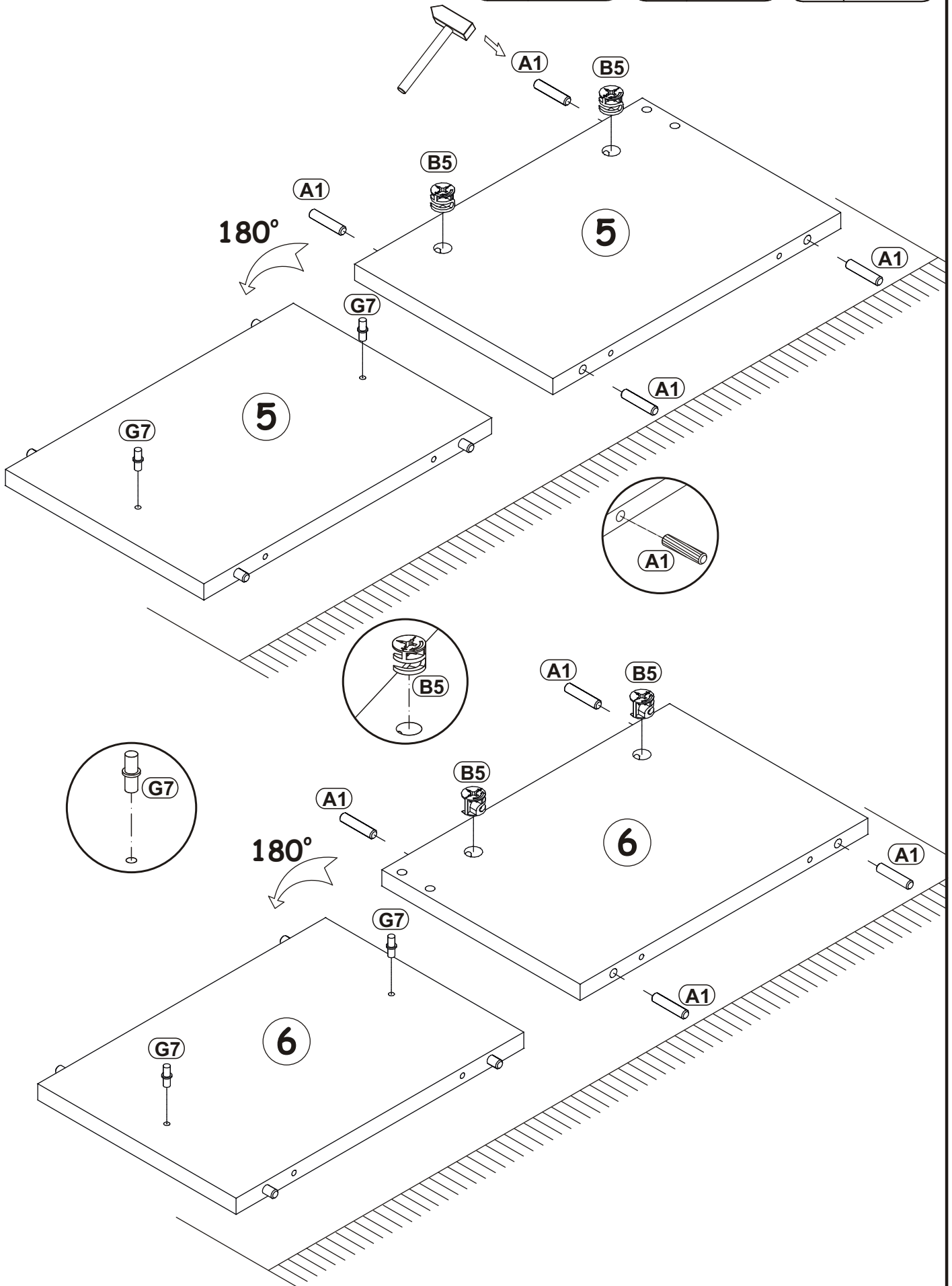
B5	
x4	Ø15x12

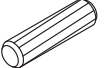
1



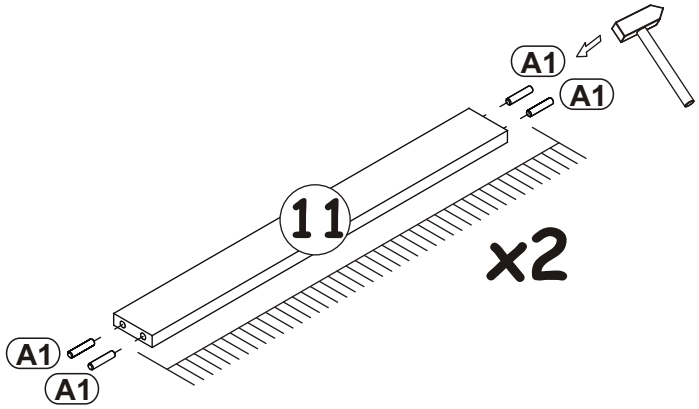
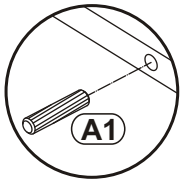
A1		B5		G7	
x8	ø8x36	x4	Ø15x12	x4	

2

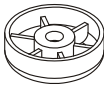



A1	
x8	ø8x36

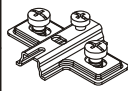
3

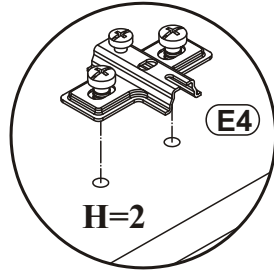
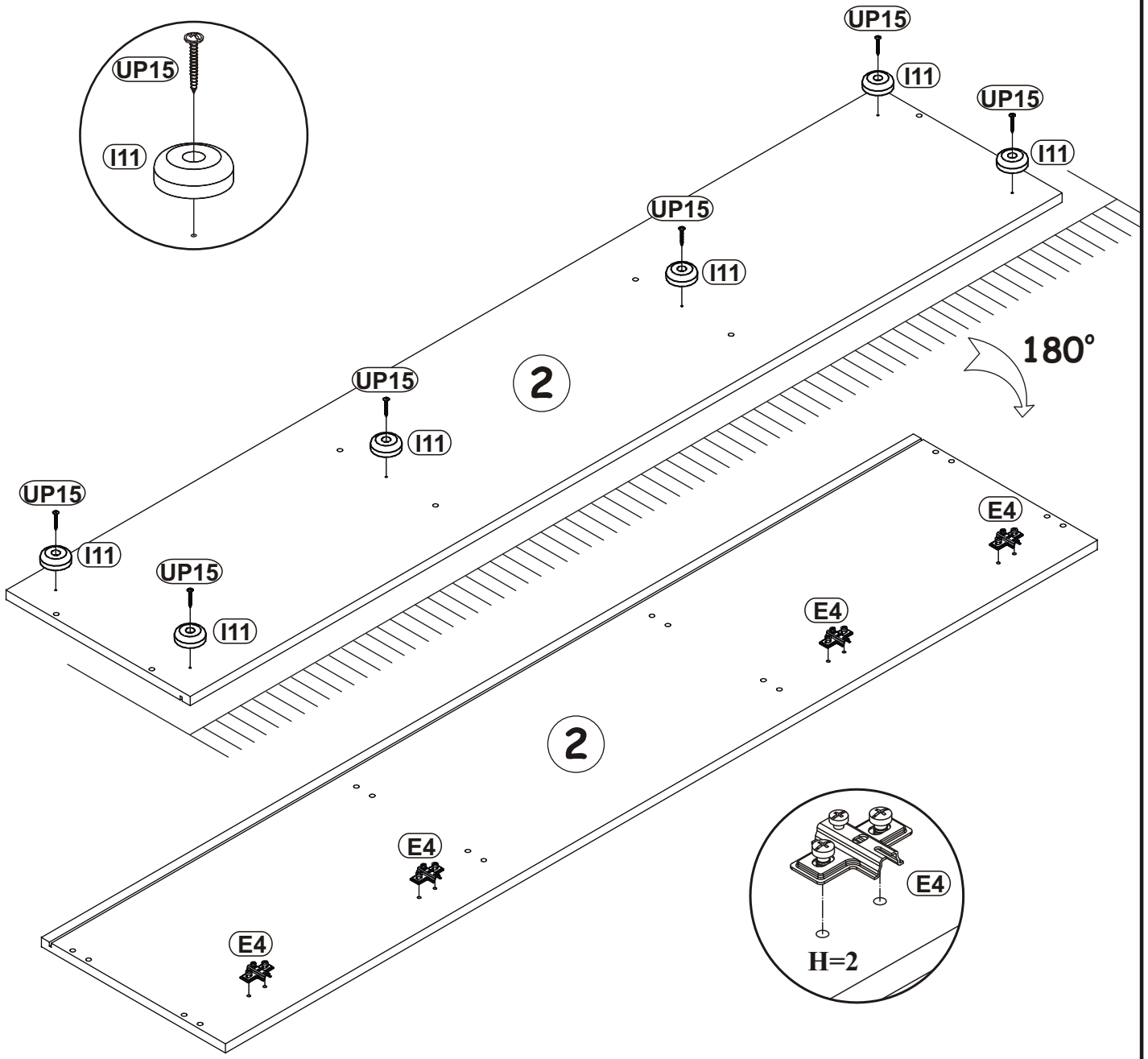
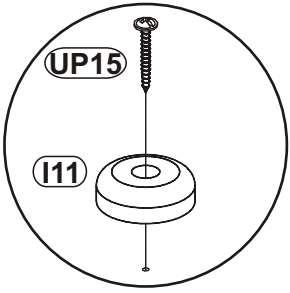


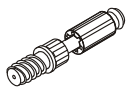
4

I11	
x6	Ø50, h=25

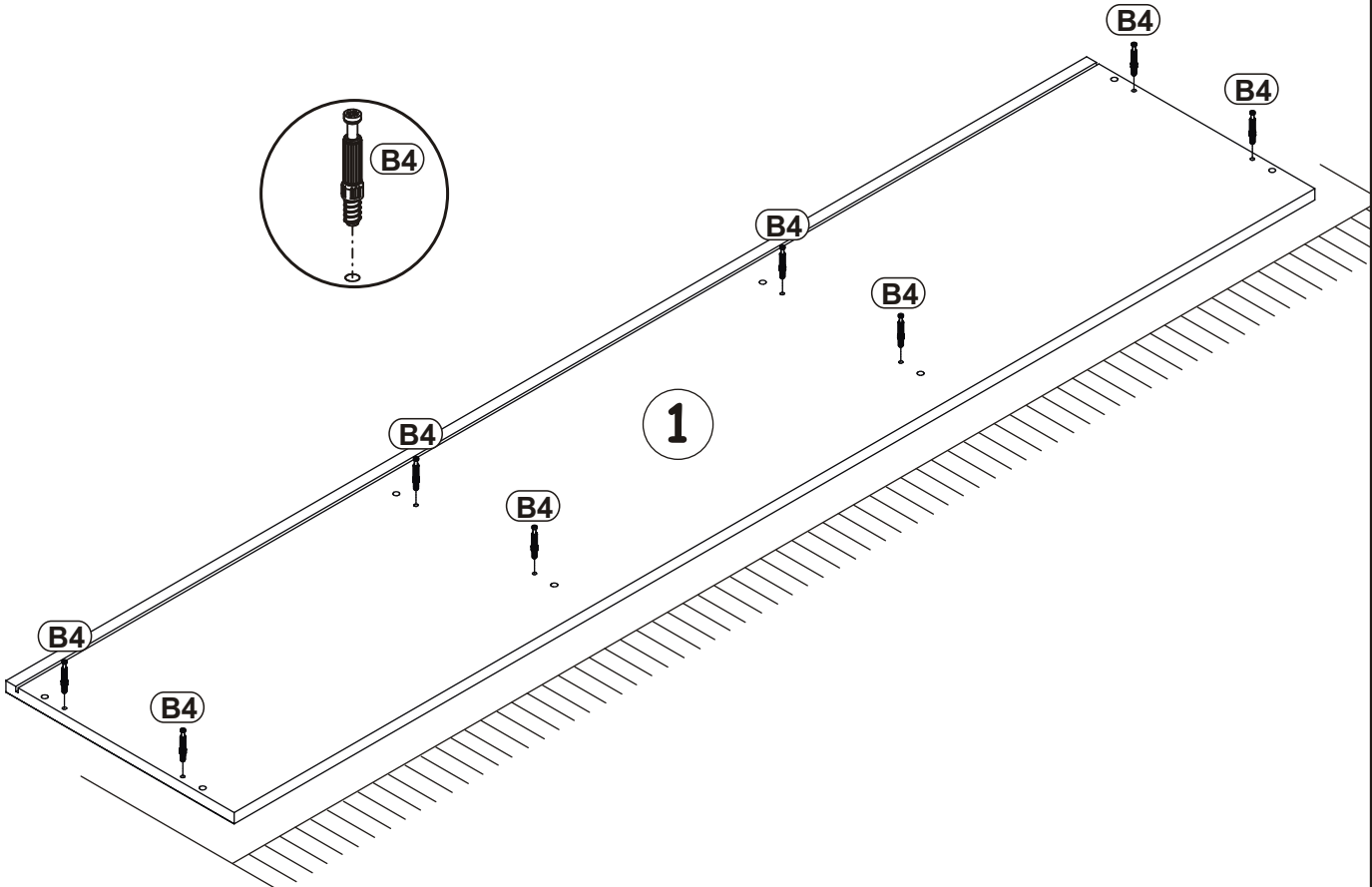
UP15	
x6	UPØ4x25

E4	
x4	H=2

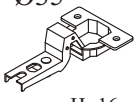



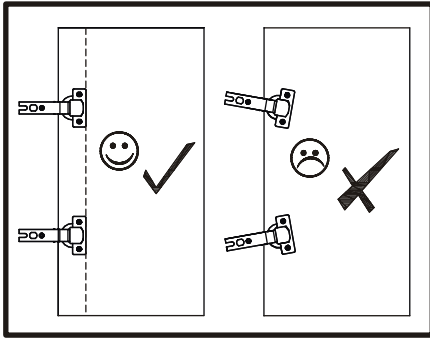
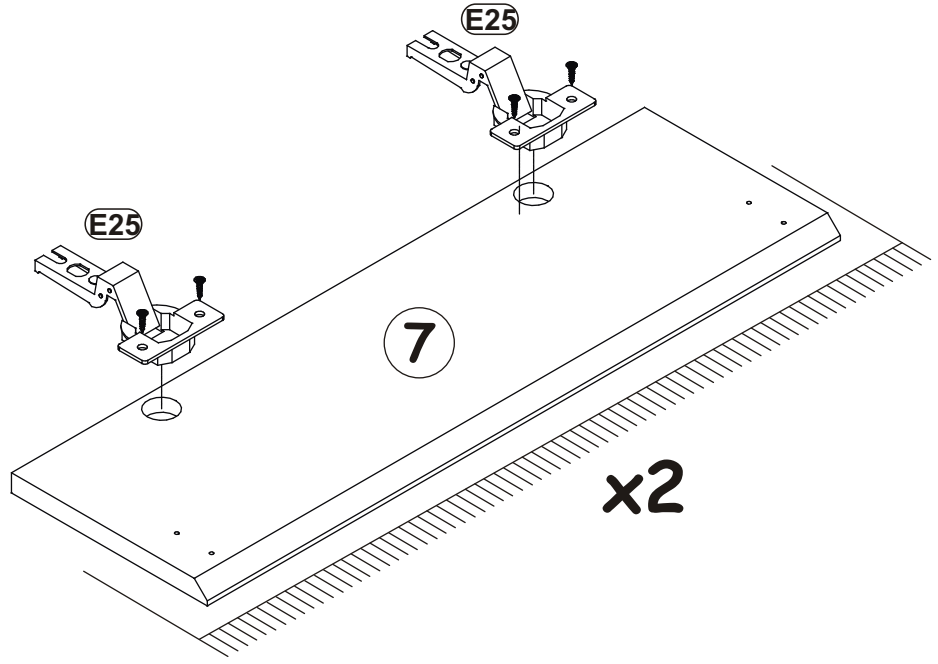
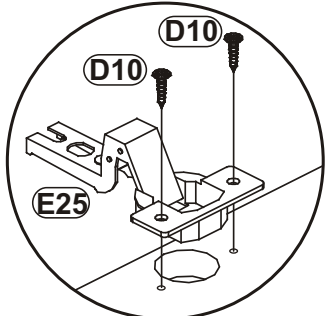
B4	
x8	

5

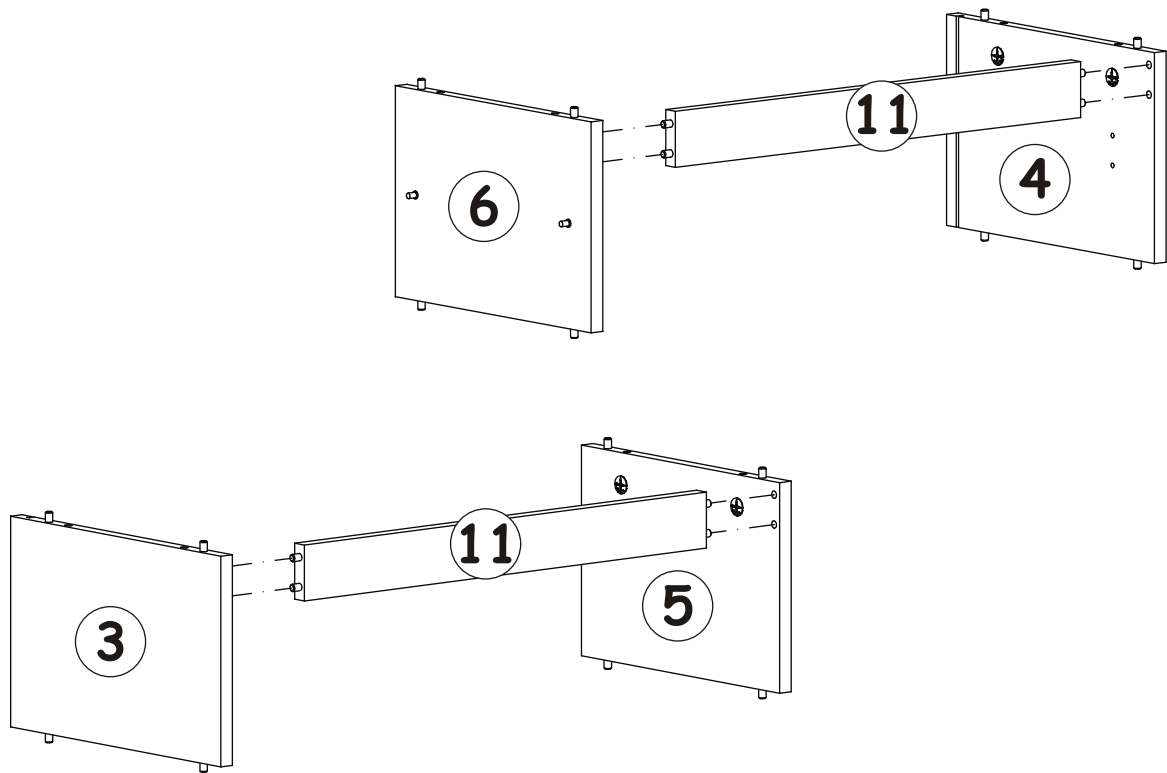


6

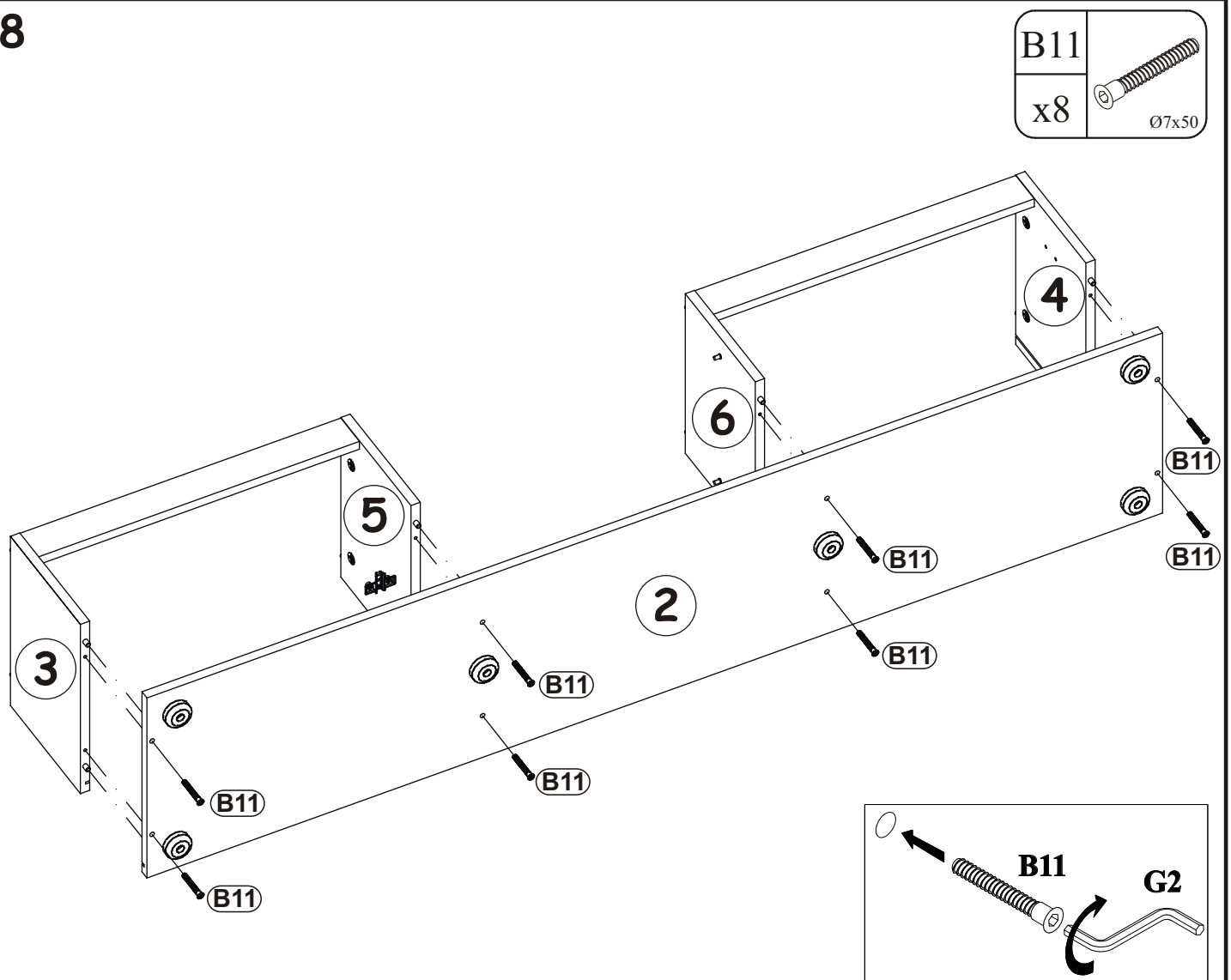
E25		Ø35	
x4	H=16	x8	USØ3,5x13



7

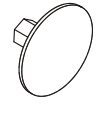


8

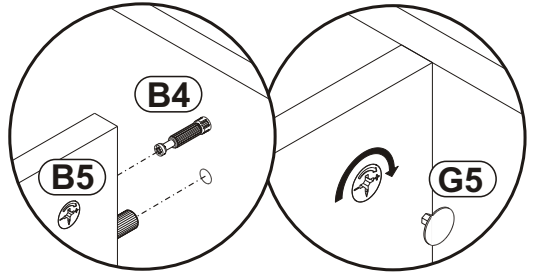
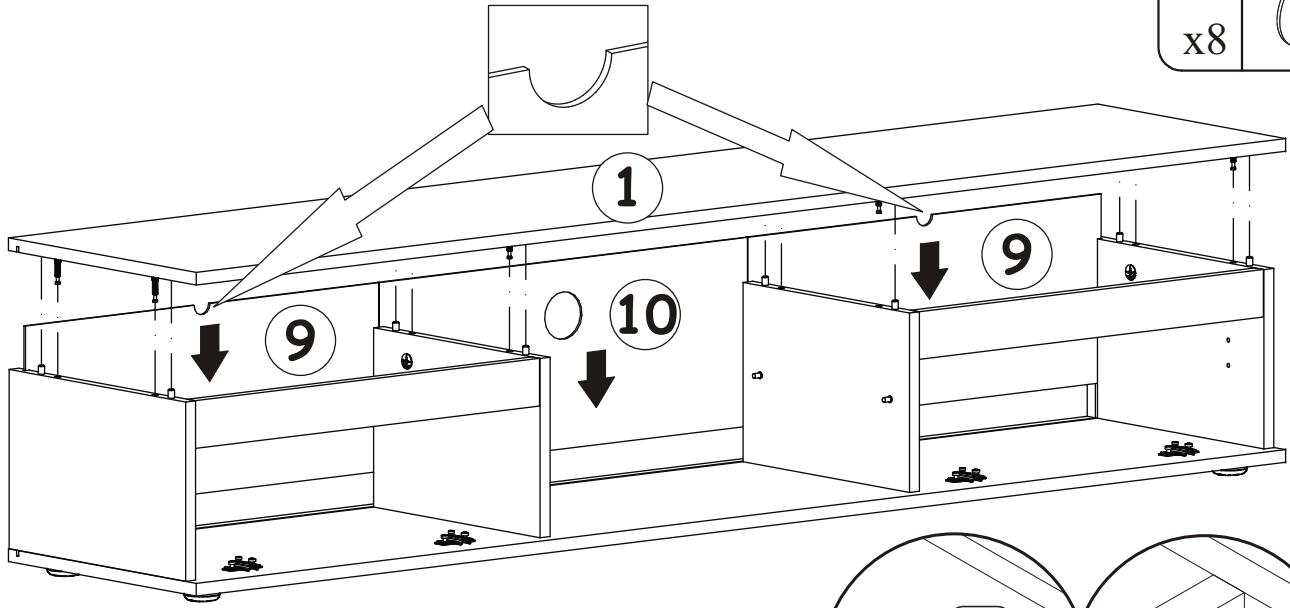


G5

x8

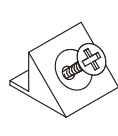


9

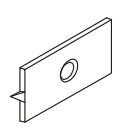


10

S1
x14



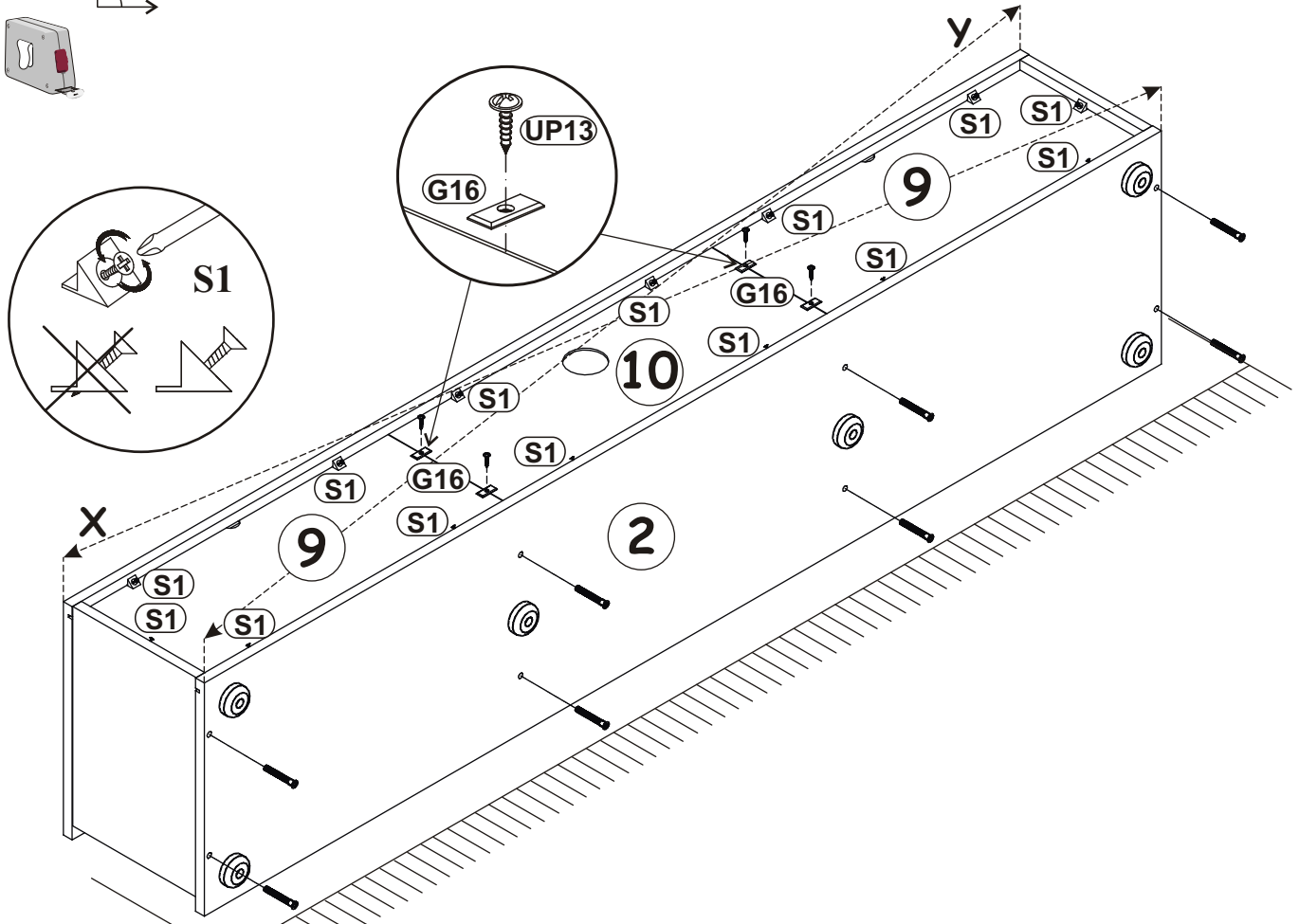
G16
x4

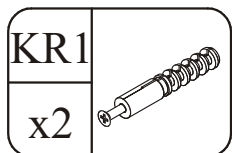
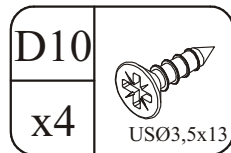
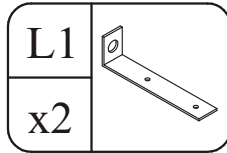


UP13
x4

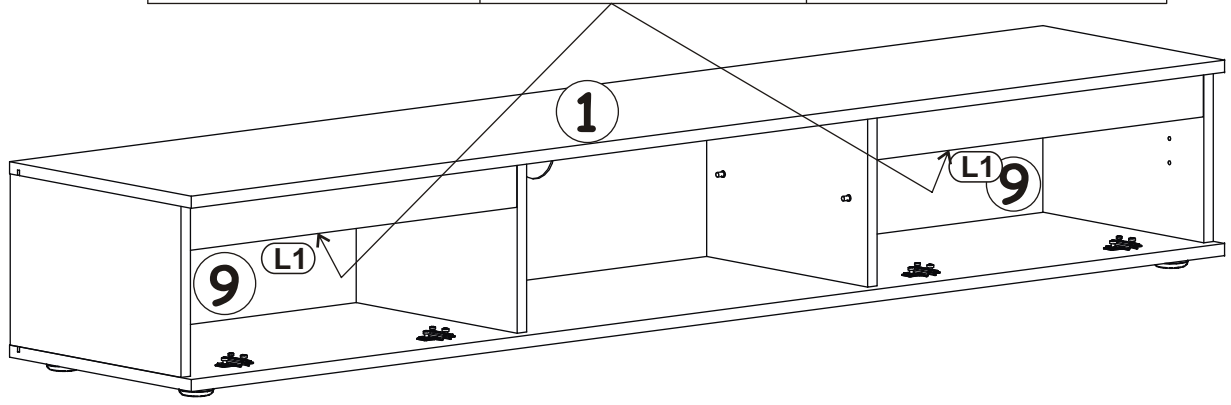
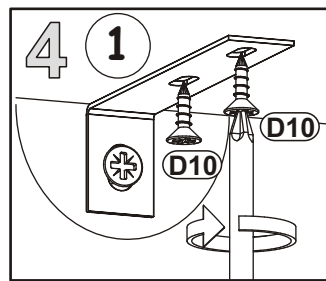
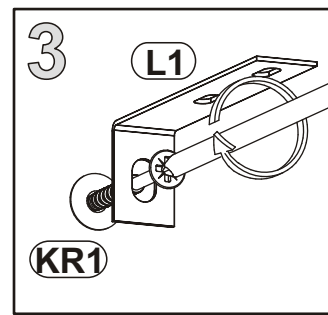
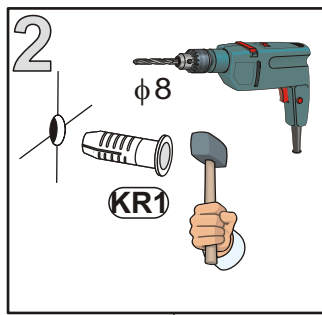
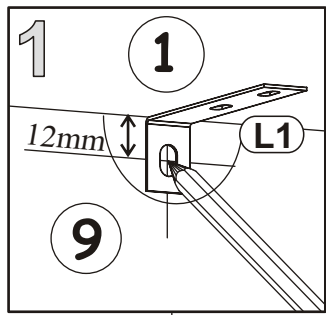
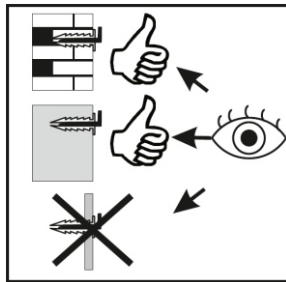


X=y 90°

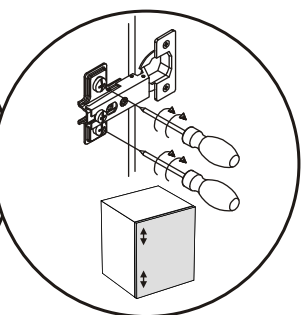
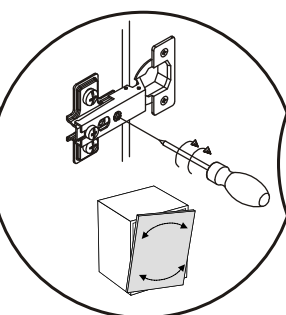
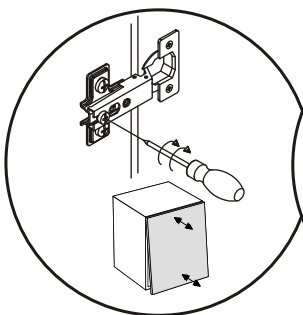
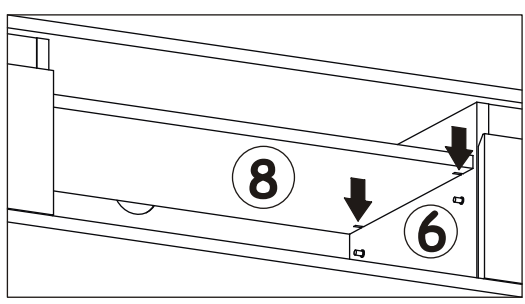
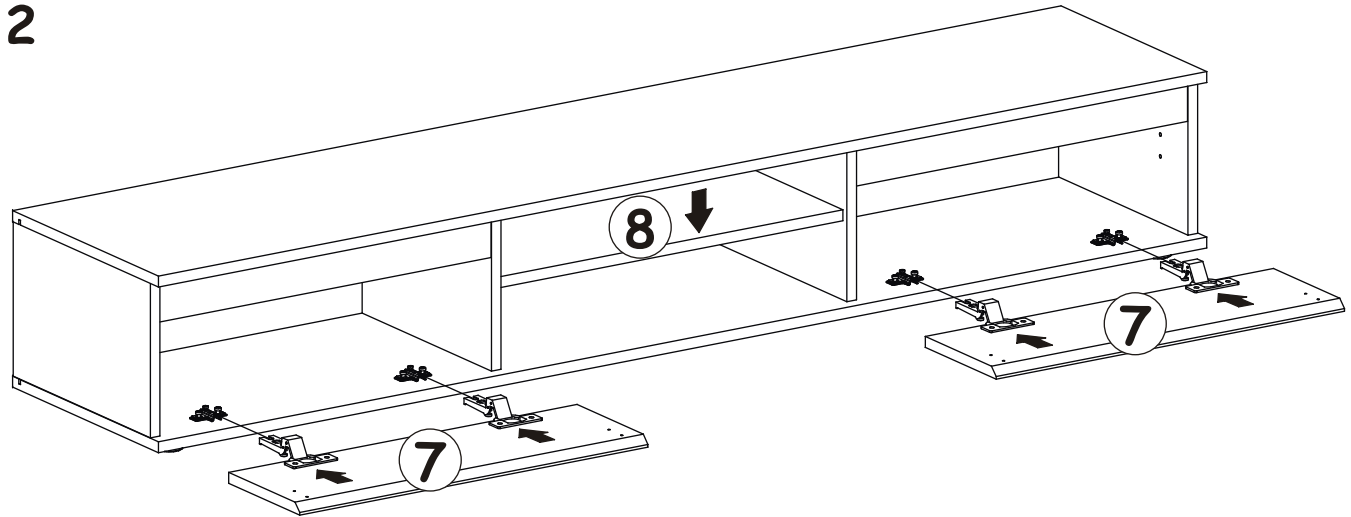


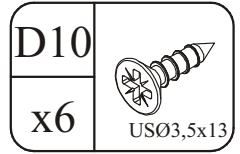
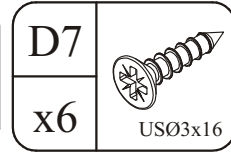
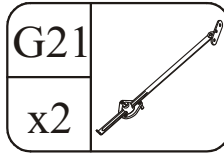


11



12





13

